



Step Stool with Handle

ALS-ZB-WZ-003

Instruction Manual

♥ Please Read this Instruction Carefully before Using

Thank you for choosing our product!

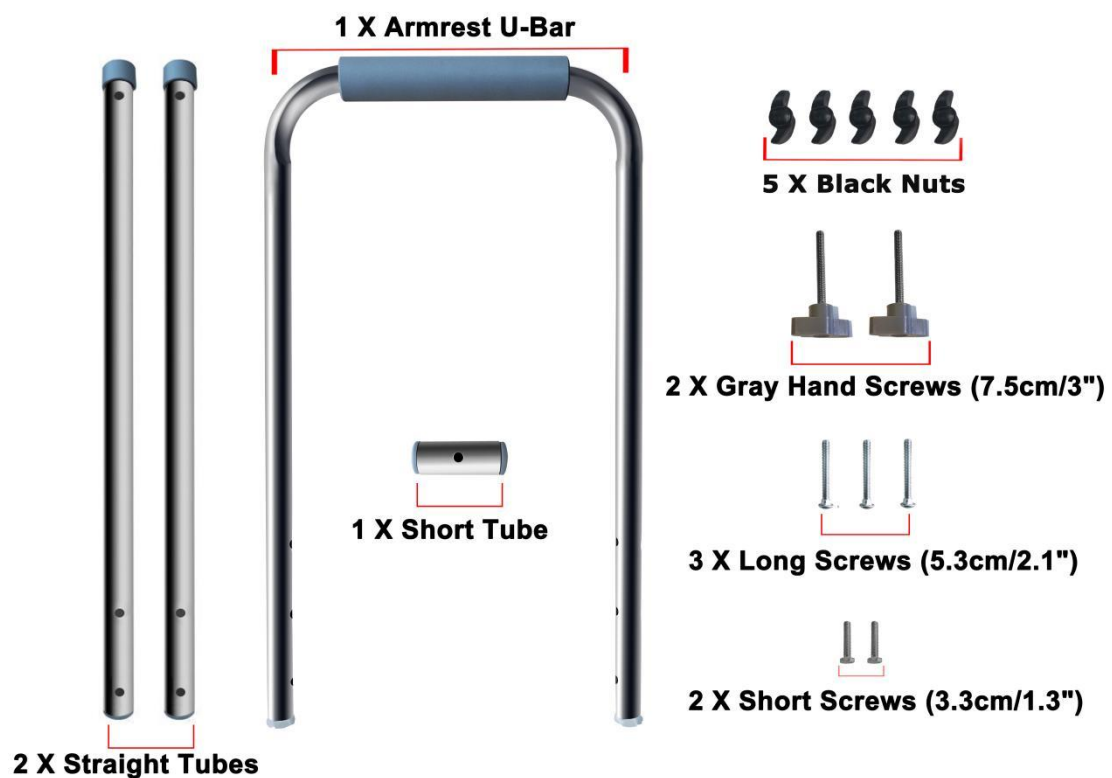
Wish you happy every day.

We love to hear your feedback and read them every day to learn what you like about our product and what can be improved.

Any questions or advice, please email us:

support@aliseniors.com

● List of Step Stool Accessories





As the picture shown:

2 X Straight Tubes

1 X Armrest U-Bar

1 X Short Tube

5 X Black Nuts

2 X Gray Hand Screws (7.5cm/3")

3 X Long Screws (5.3cm/2.1")

2 X Short Screws (3.3cm/1.3")

1 X Short Stool

1 X High Stool

Adjustment Range (from the ground) of 3 Height Settings:
35.2"-39.2"

- **Step Stool with Handle Tool-free Assembly Steps:**

You may decide to install the Armrest on the left or right according to your needs.

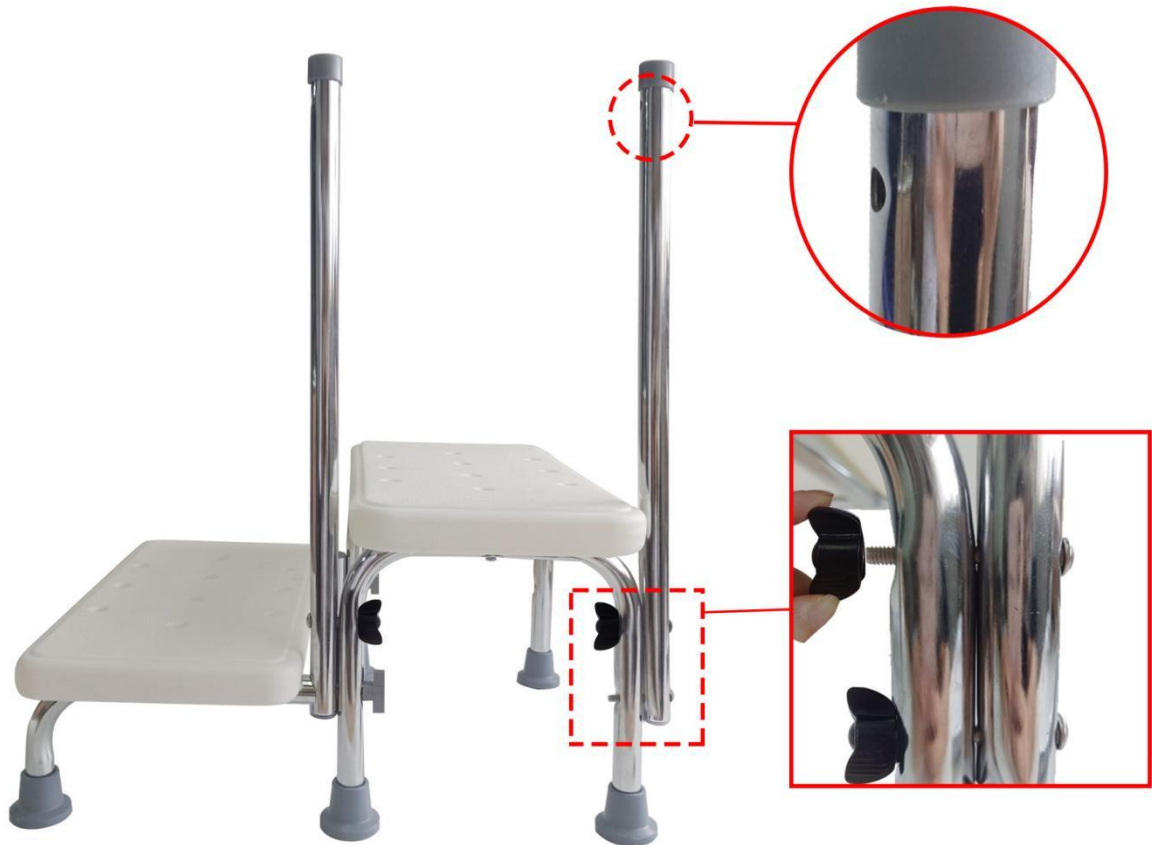
1 . Put **the Short Tube** in the middle of **Short Stool** and **High Stool**, then take **1 Gray Hand Screw** (7.5cm/3") to connect them. As shown below. PS: don't tighten it too much, so you can easily install **1 Straight Tube** on the other side.



2 . On the other side, put **1 Straight Tube** in the middle of **Short Stool** and **High Stool**. The round hole near the top of the straight tube facing the high stool, and take **1 Gray Hand Screw** (7.5cm/3") to connect it in the lower hole. Then insert **1 Long Screw** (5.3cm/2.1") into the upper hole to connect the **Straight Tube** and the leg of **High Stool**, then tighten by the **Black Nuts**. As shown below. PS: Loosen the lower gray screw a bit, it will be easier to insert the upper long screw.



3 . The round hole near the top of another straight tube also facing the high stool, and take **2 Long Screws (5.3cm/2.1"** to connect the straight tube and the leg of high stool. Then tighten by **2 Black Nuts**.



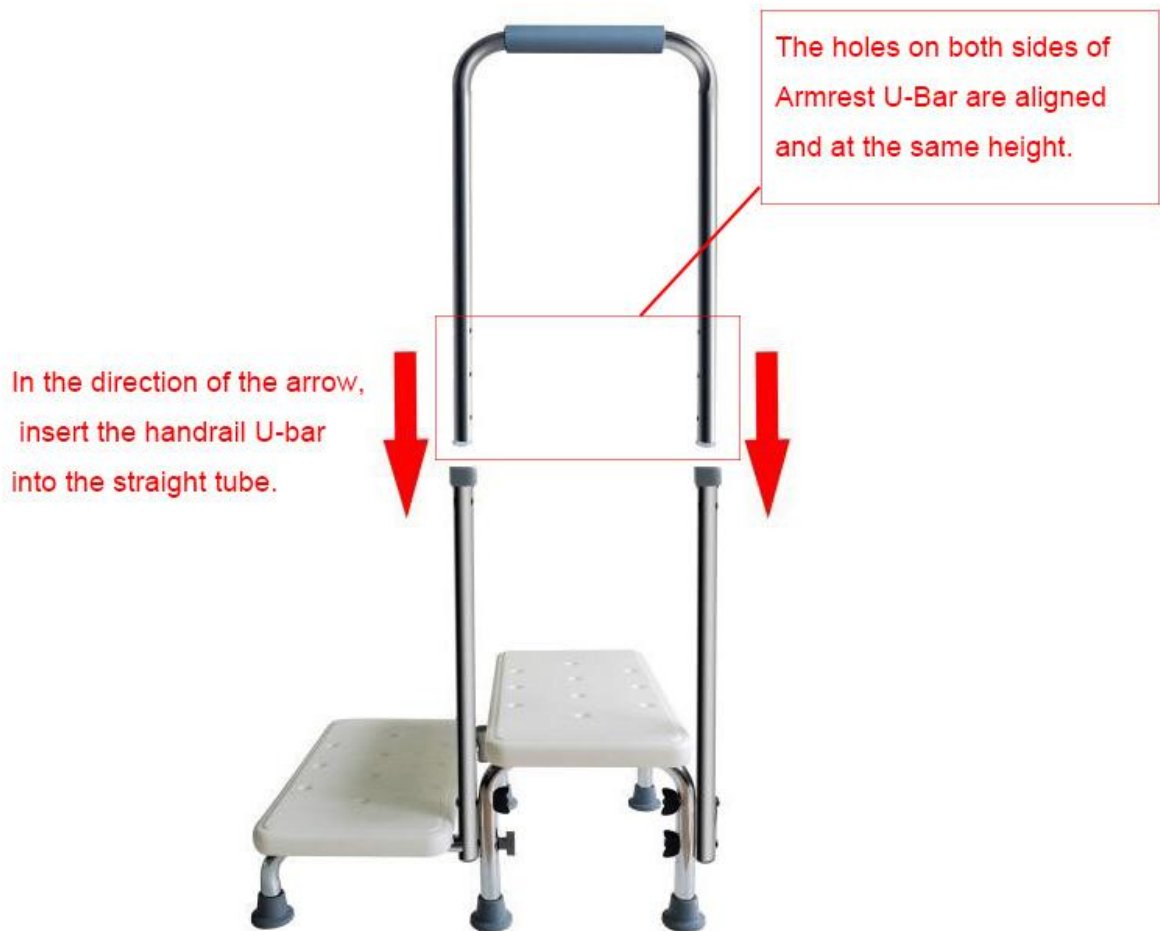
The right way:
Screws press tightly



The wrong way:
Screws do not press tightly



4 . Insert the **Armrest U-Bar** into the **Straight Tubes**. Then put the **2 short screws (3.3cm/1.3")** through the hexagonal tube holes (please make sure the head of the 2 short screws perfectly fit in the hexagonal tube holes). Then tighten by the **Black Nuts**.





- **Assembly completed**



If clearer details in the manual are needed, you may go to the webpage of this product to download E- manual, or contact us for help.

● Maintenance

1. Always keep the rubber discs clear of oil and dust.
2. Clean the rubber discs with standard household cleaning agents.
3. Never expose the rubber discs to sunlight for long periods otherwise they will

quickly lose their elasticity.

4. Check the rubber discs for possible deterioration. If the suction cups show damage, replace immediately.

5. Long and short screws need to be pressed in according to the shape of the hole. Make sure the head of the screws perfectly fit in the shape of tube holes.

● **Additional Precautions**

1. Inspect all parts for shipping damage before assembly. If there is shipping damage - DO NOT USE. Contact dealer/carrier for further instructions.

2. Ensure ALL screws are tightened.

3. Check the rubber tips on the leg for rips, wear or if they are missing. Immediately replace any or all if any of these imperfections exist.

NOTE: To maintain the beauty of the original finish, clean with mild soap and rinse with warm water. Wipe step stool dry after each use.

4. DO NOT treat the step stool violently.

5. DO NOT USE it anymore if the frame is deformed or damaged.

6. The stool feet suitable for oil-free, clean, dry floors.

7. Please allow 1-3 cm error due to manual measurement.

● **Safety Warning**

1. DO NOT EXCEED the maximum load-bearing range of the step stool when using it.

2. All of the screws must be securely tightened by hand. DO NOT over-tighten or use tools to tighten them.

3. The armrest must be adjusted to the same height.

4. Check the tightness of all screws before each use.

5. DO NOT use it if it's unstable.

6. DO NOT place this step stool on an uneven or non-level surface.